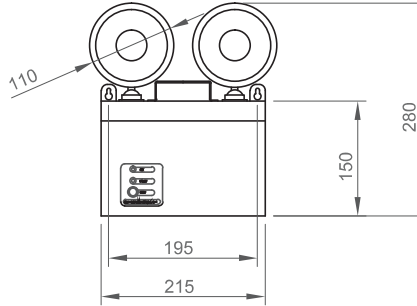




Housing	Electrostatic coated steel sheet
Optics	Acrylic lens
Light Source	SMD Mid Power LED
Battery	3h Ni-Cd battery
Supply Voltage	220-240V/ AC 50-60Hz
Ambient Temperature	-5C°/+40C°
Ingress Protection	IP40
Time to Full Charge	48 hours



Order Code	W	Lm	Battery	Method of Use	Light Source	Kg
81609.109	1x9	1000	1H	Acilde	LED Modül	1,2
81610.109	1x9	700	3H	Acilde	LED Modül	1,2
81615.209	2x9	2000	1H	Acilde	LED Modül	1,2
81616.209	2x9	1400	3H	Acilde	LED Modül	1,2